

# LED Grow Light

## GL1 Series

**Shenzhen LAMIN Optoelectronic Co., Ltd**



9 Fu'ru Road, Dayangtian Development Zone, Fuyong Town,  
Bao'an District, Shenzhen, Guangdong, 518103, China



[www.hklamin.com](http://www.hklamin.com)

# LED Grow light-GL1



Easily install and replace, save install time and cost



## Key Features

Private mould, plug & play LED bar.

Neat! No Messy Cables Around.

Modular design allow you to change out the bars per you choose switch the spectrum or increase efficacy as technology evolves.

Good proprietary thermal management, less heat onto the plants.

Save freight, volume less weight, best choice by air shipping and container.

Easily install and replace, save installer's cost mostly.

Unlimited watt, just let us know your requirement.





IP65 waterproof by Glue process and guarantee the perfect spectrum

Brand driver and LED, 5yrs warranty

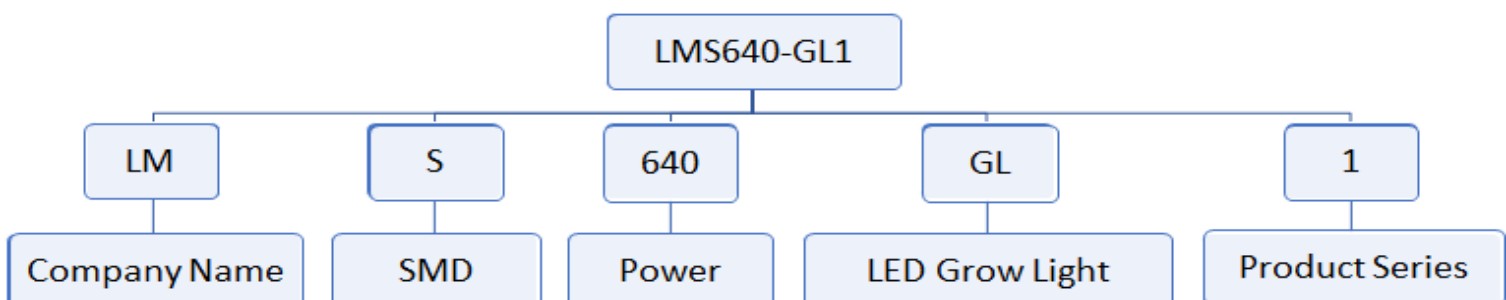
Wireless control, take care plants at any where and any time.

Different spectrum to meet different applicaiton, like outdoor greenhouse or basement greenhouse and so on.

## Mounting & Accessories

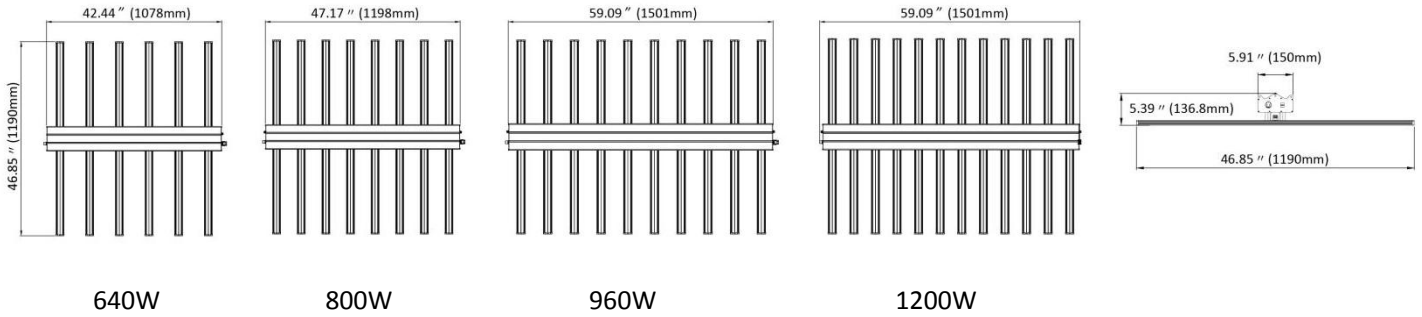
	<b>Controller:</b> Gray
	<b>Cable:</b> Black
	<b>Sling:</b> Black
	<b>Power cable:</b> Black

## Ordering Information

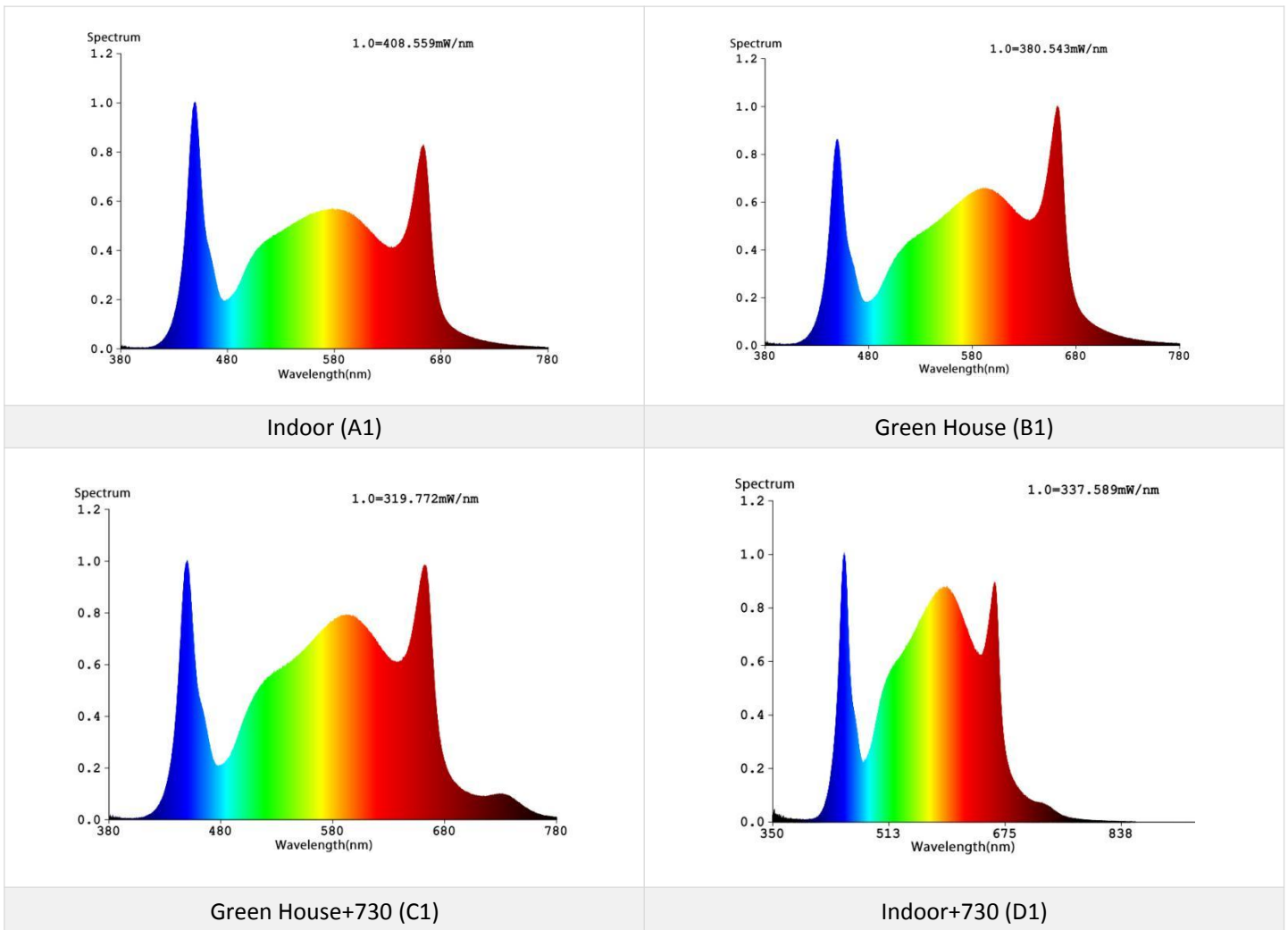


# LED Grow light-GL1

## Dimension (unit: mm)



## Spectra



# LED Grow light-GL1

## Specifications

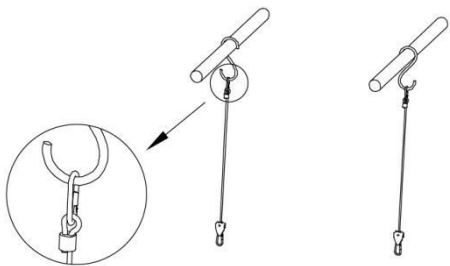
Model	LMS640-GL1	LMS800-GL1	LMS960-GL1	LMS1200-GL1
Wattage	640W	800W	960W	1200W
PPF	1800 $\mu$ mol/s	2240 $\mu$ mol/s	2690 $\mu$ mol/s	3360 $\mu$ mol/s
PPE	2.8 $\mu$ mol/J			
Spectrum	A1 B1 C1 D1			
AC Input Voltage	120-277V AC 50/60Hz			
Mounting Height	$\geq$ 5.98 " ( 15.2cm ) Above Canopy			
Thermal Management	Passive			
Ambient Temperature	-20-35 $^{\circ}$ C			
Dimming	0-10V			
Warranty	5 years standard warranty			

## Packaging

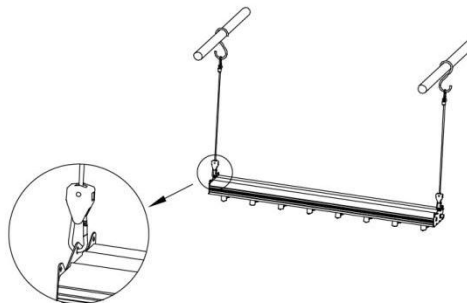
Model	PCS/CTN	Net Weight	Gross weight	Volumetric Weight	CBM
LMS640-GL1	1	4.32kg	6.15kg	11.67kg	L1230 $\times$ W230 $\times$ H165mm $\approx$ 0.036 <sup>3</sup>
		5.11kg	6.30kg	9.62kg	L1195 $\times$ W165 $\times$ H195mm $\approx$ 0.039 <sup>3</sup>
LMS800-GL1	1	5.76kg	7.58kg	14.97kg	L1230 $\times$ W295 $\times$ H165mm $\approx$ 0.06 <sup>3</sup>
		5.52kg	6.71kg	10.57kg	L1315 $\times$ W165 $\times$ H195mm $\approx$ 0.043 <sup>3</sup>
LMS960-GL1	1	7.20kg	9.03kg	17.51kg	L1230 $\times$ W355 $\times$ H165mm $\approx$ 0.07 <sup>3</sup>
		6.90kg	8.10kg	13.00kg	L1615 $\times$ W165 $\times$ H195mm $\approx$ 0.052 <sup>3</sup>
LMS1200-GL1	1	8.84kg	10.47kg	20.87kg	L1230 $\times$ W295 $\times$ H230mm $\approx$ 0.084 <sup>3</sup>
		7.10kg	8.30kg	13.00kg	L1615 $\times$ W165 $\times$ H195mm $\approx$ 0.052 <sup>3</sup>

# LED Grow light-GL1

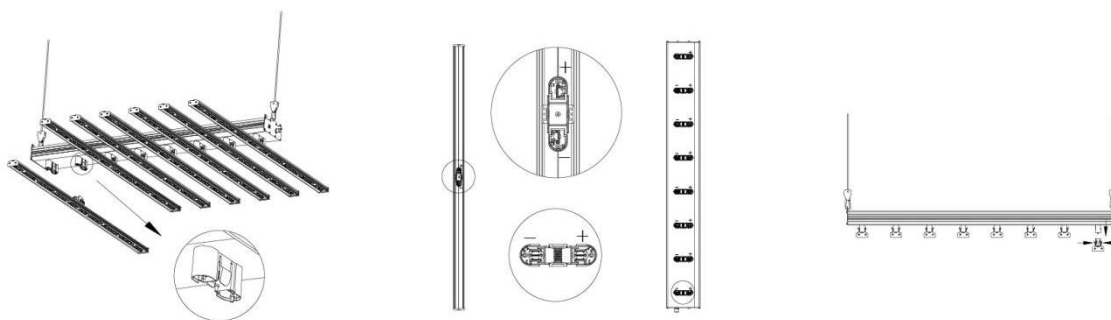
## Installation



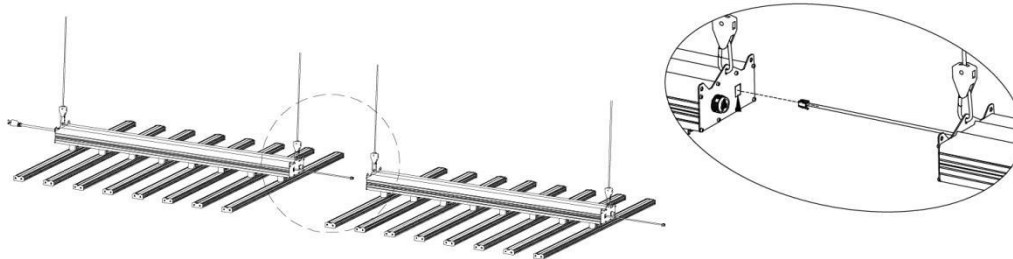
1. Install the string on the beam



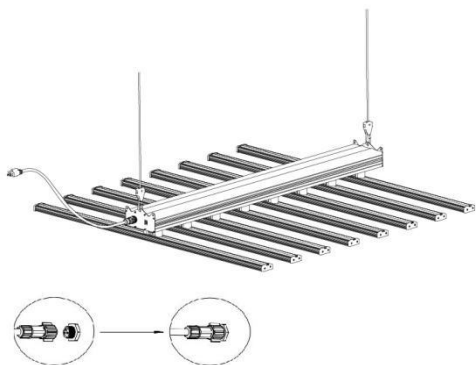
2. Hang the power box up



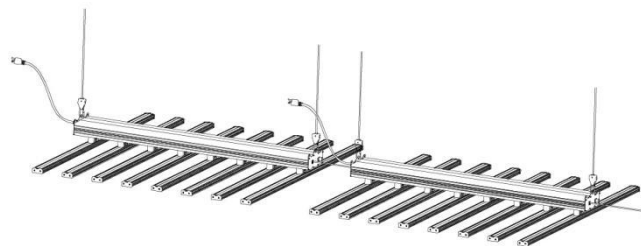
3. Assemble or disassemble the bars



4. Connecting dimming cable (The connections of the second light refers to the first light)



5. Connecting the power cord



6. All set