

LED Grow Light

GL2 Series

Shenzhen LAMIN Optoelectronic Co., Ltd



9 Fu' Rui Road, Dayangtian Development Zone, Fuyong Town,
Bao'an District, Shenzhen, Guangdong, 518103, China



www.hklamin.com

LED Grow light-GL2



Key Features

Folding Design: This design allows for easy packing, installation, and reduction of shipping cost





Dimming & Mounting: 0-10V Dimming Standard and Height Adjustable Aircraft Cables included for Suspension Mount

Power Selectable Design: Up to 640W/800W/960W different wattage options per fixture

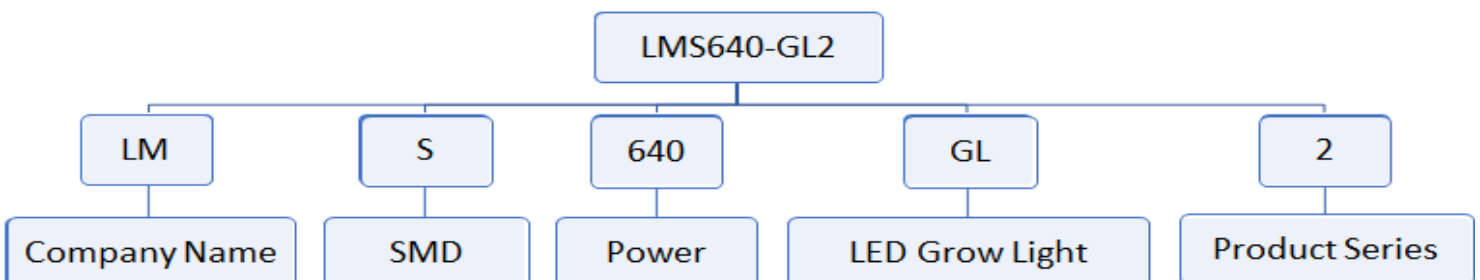
Height can be easily adjusted

Certifications : ETL Certified

Mounting & Accessories

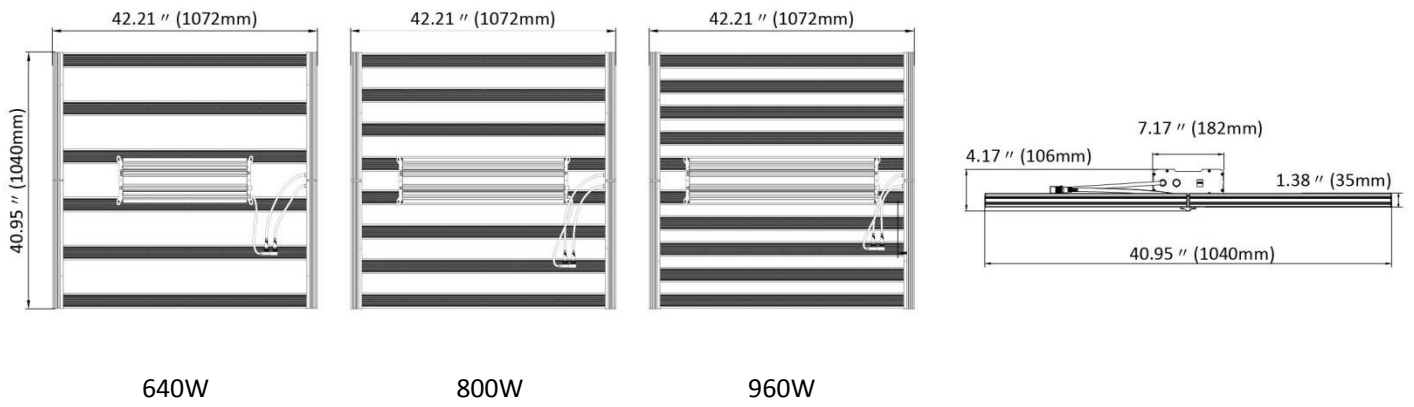
	Controller: Gray
	Cable: Black
	iron chain Sliver
	Power cable: Black

Ordering Information

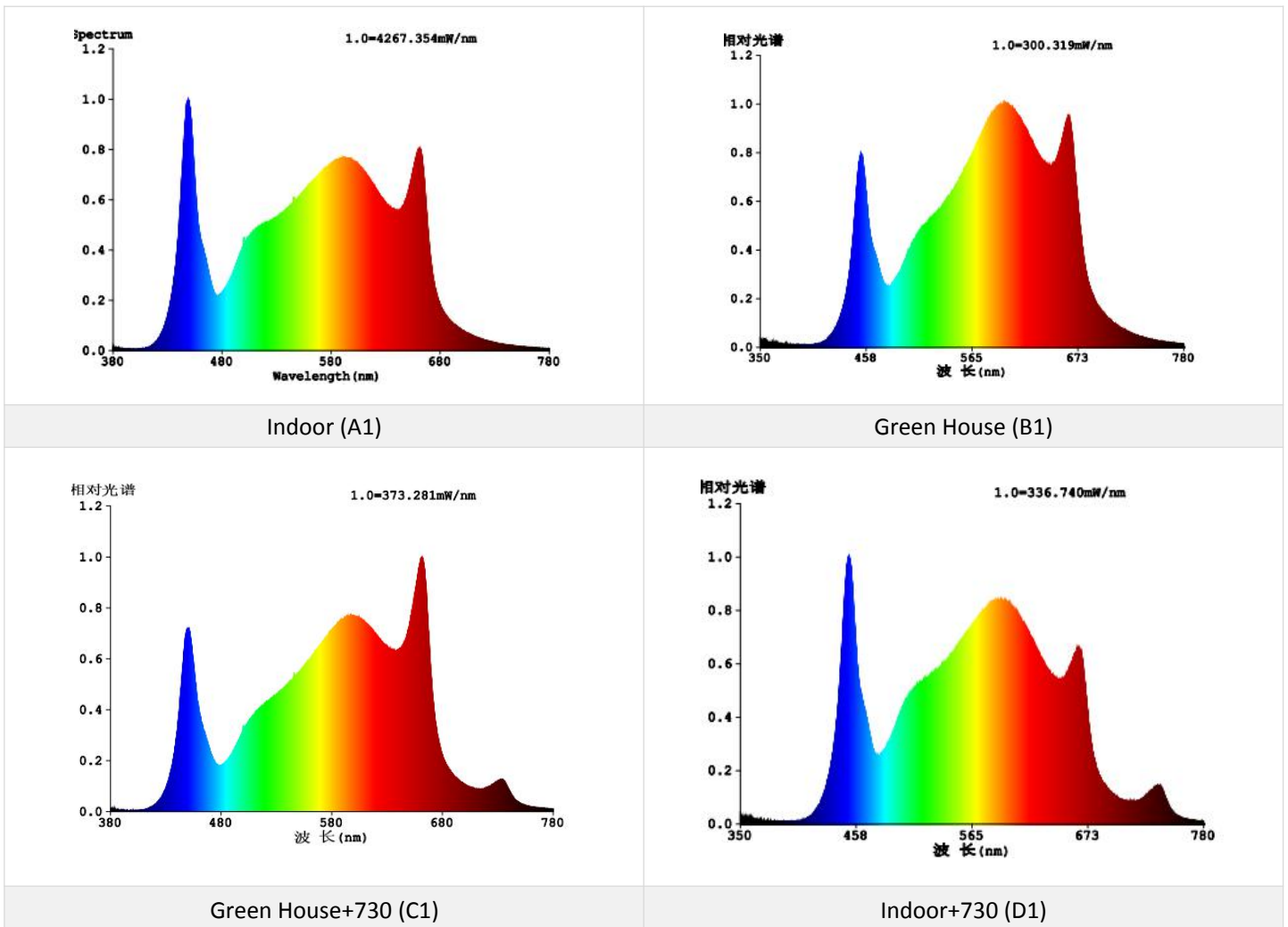


LED Grow light-GL2

Dimension (unit: mm)



Spectra



LED Grow light-GL2

Specifications

Model	LMS640-GL2	LMS800-GL2	LMS960-GL2
Wattage	640W	800W	960W
PPF	1840 μ mol/s	2250 μ mol/s	2870 μ mol/s
PPE	2.8 μ mol/J		
Spectrum	A1 B1 C1 D1		
AC Input Voltage	100-277V AC 50/60Hz		
Ambient Temperature	-20-35 $^{\circ}$ C		
Dimming	0-10V		
Warranty	5 years standard warranty		

Packaging

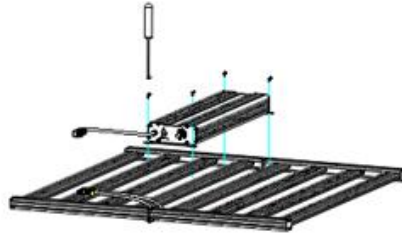
Model	PCS/CTN	Net Weight	Gross weight	Volumetric Weight	CBM
LMS640-GL2	1	4.95kg 8.10kg	5.51kg 10.3kg	4.0kg 20.0kg	L645 \times W232 \times H125mm \approx 0.02 ³ L1120 \times W615 \times H145mm \approx 0.1 ³
LMS800-GL2	1	6.69kg 10.00kg	7.26kg 12.20kg	4.6kg 20.0kg	L795 \times W232 \times H125mm \approx 0.23 ³ L1120 \times W615 \times H145mm \approx 0.1 ³
LMS960-GL2	1	8.20kg 11.63kg	8.77kg 13.77kg	5.2kg 20.0kg	L890 \times VW232 \times H125mm \approx 0.26 ³ L1120 \times W615 \times H145mm \approx 0.1 ³

LED Grow light-GL2

Installation



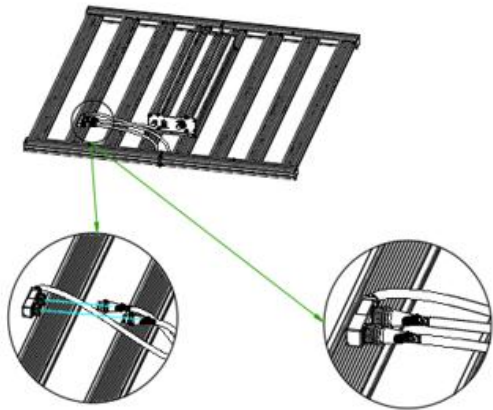
1. take the lamps and driver box from outcarton



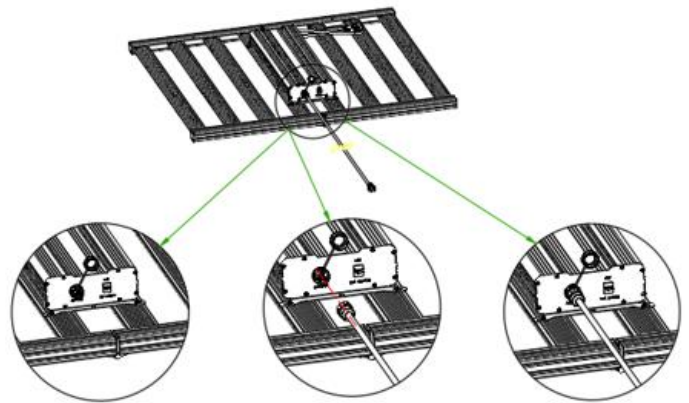
2. Horizontal Open the lamp and install driver box as below



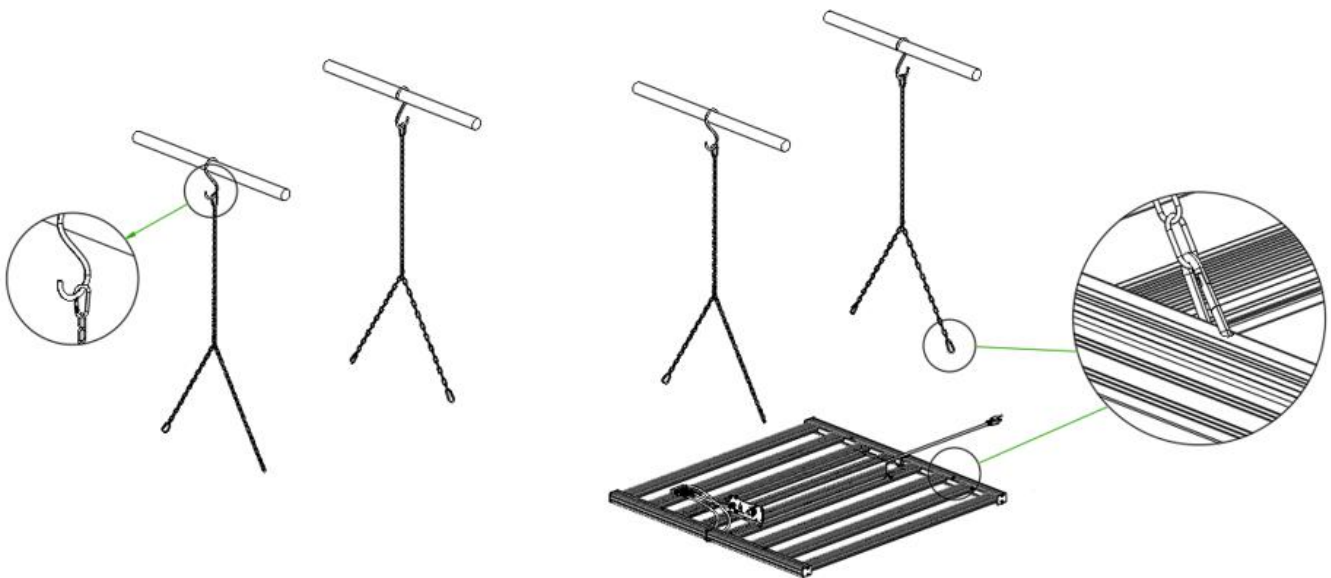
3. Below pic for driver box be installed well



4. Joint DC connection & water-proof plug



5. Joint AC connection & water-proof plug

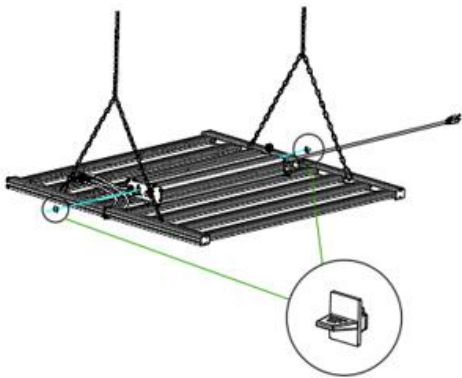


6. Hang on strings

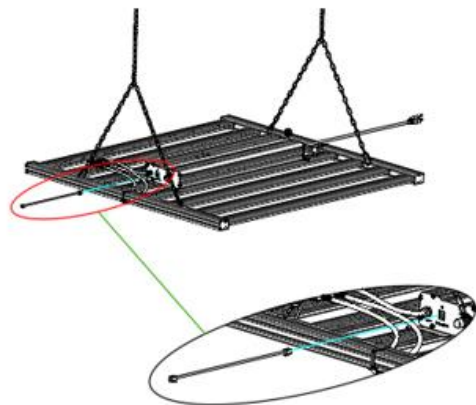
LED Grow light-GL2



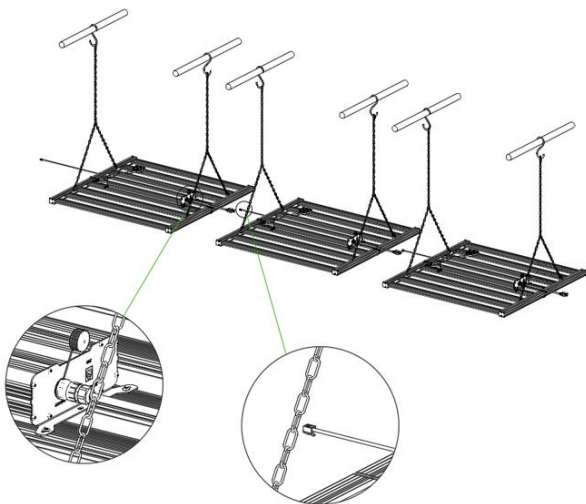
7. All set



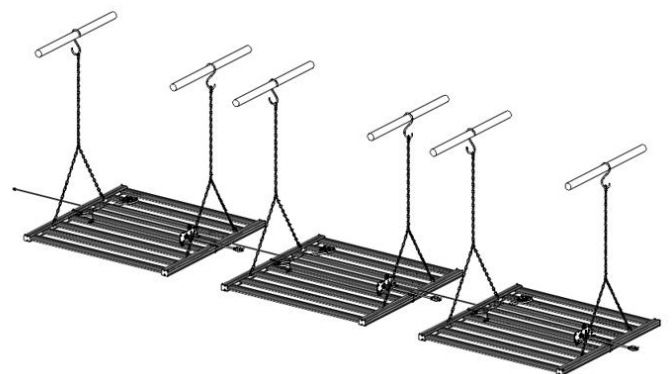
8. Remove the dust cover on both ends of the power box



9. Connecting dimming cable (The connections of the second light refers to the first light)



11. Connecting the power cord



12. All set