

LED Street Light

SL47 Series



Shenzhen LAMIN Optoelectronic Co., Ltd



9 Fu' Rui Road, Dayangtian Development Zone, Fuyong Town,
Bao'an District, Shenzhen, Guangdong, 518103, China



www.hklamin.com

SL47 Street Light



Convenient maintenance

Features

Super slim cobra head design with aluminum ,
smooth housing avoid dust accumulation
Rich optic lens

Type I /Type II /Type III /Type IV /Type V /60°/90°

IP66 & IK10, corrosion resistance

Easy Installation and Maintenance, High quality

100-277V 277-480V ac, 50-60Hz

Various selections in power from 40W to 150W
with 3 different housing

Application

Street, road, stadium, highway, bridge, sport
yard, parking.

Ordering Information

LMS80-SL47-DW

LM

Company Name

S

SMD

80

Power

SL

Street Light

47

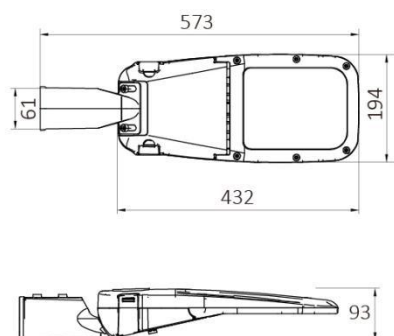
Product Series

DW

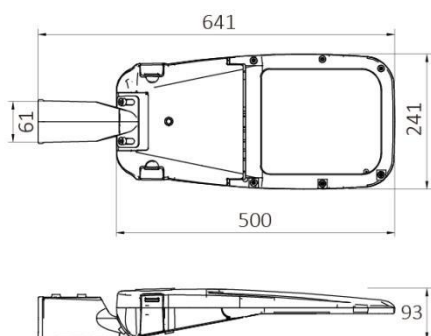
5700K

SL47 Street Light

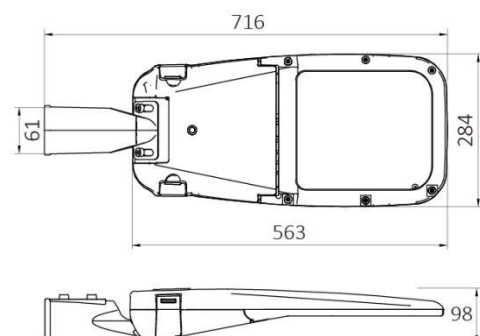
Dimension (unit: mm)



40W/50W/60W



80W/100W



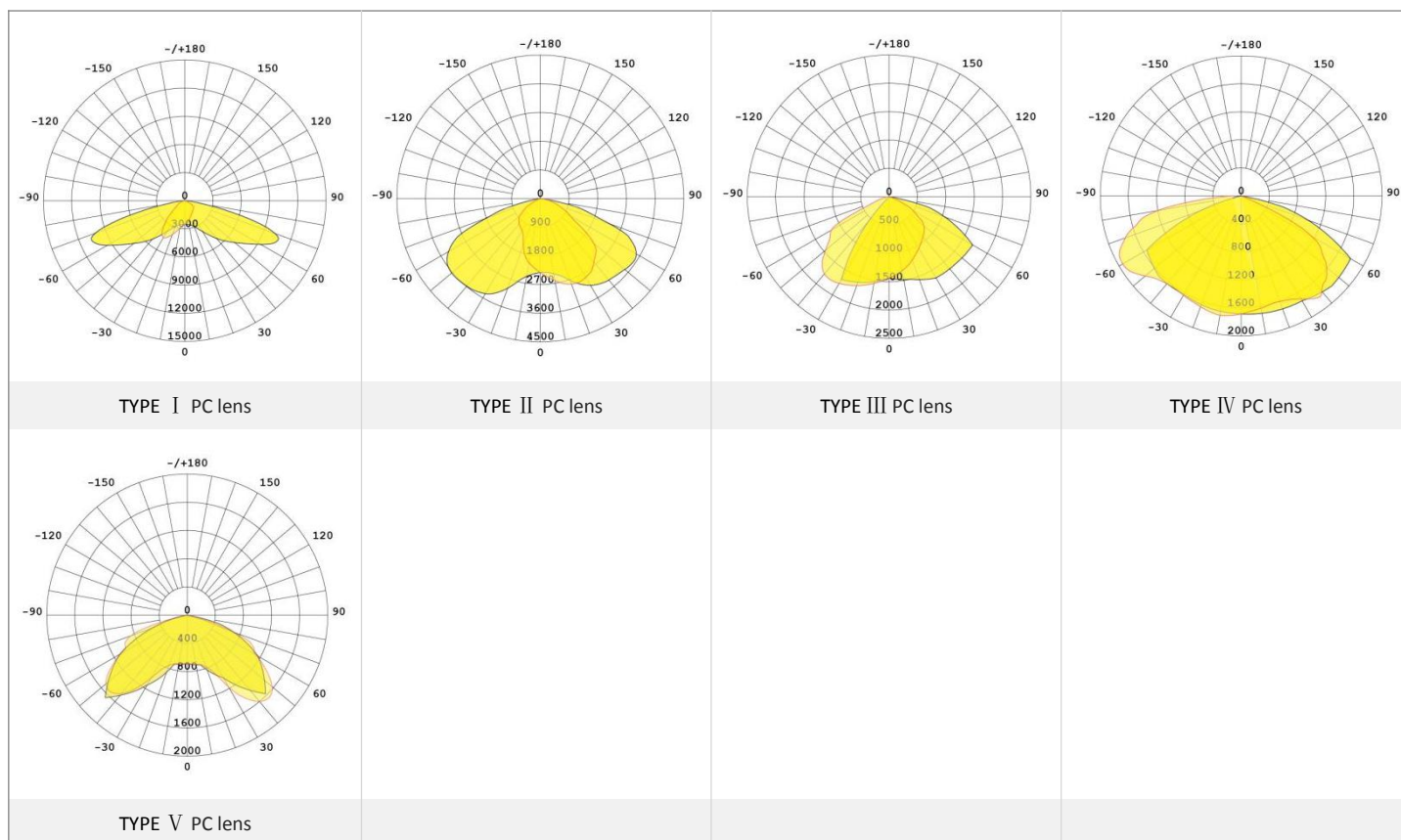
120W/150W

Product Data

Model	LMS40-SL47	LMS50-SL47	LMS60-SL47	LMS80-SL47	LMS100-SL47	LMS120-SL47	LMS150-SL47
Wattage	40W	50W	60W	80W	100W	120W	150W
Lumen Output	6000lm	7500lm	9000lm	12000lm	15000lm	18000lm	22500lm
Luminous Efficacy	150lm/W						
CCT	3000K/4000K/5000K/5700K/6500K						
CRI	Ra≥70						
Input Voltage	100-277 VAC						
Housing Color	Light grey						
Housing Material	Aluminum(ADC12), lens+temper glass						
Operating Temperature	-30°C to +45°C						
IP Level	IP66						
Lifespan	50,000 hours						
Warranty	7 or 5years						

SL47 Street Light

Photometry

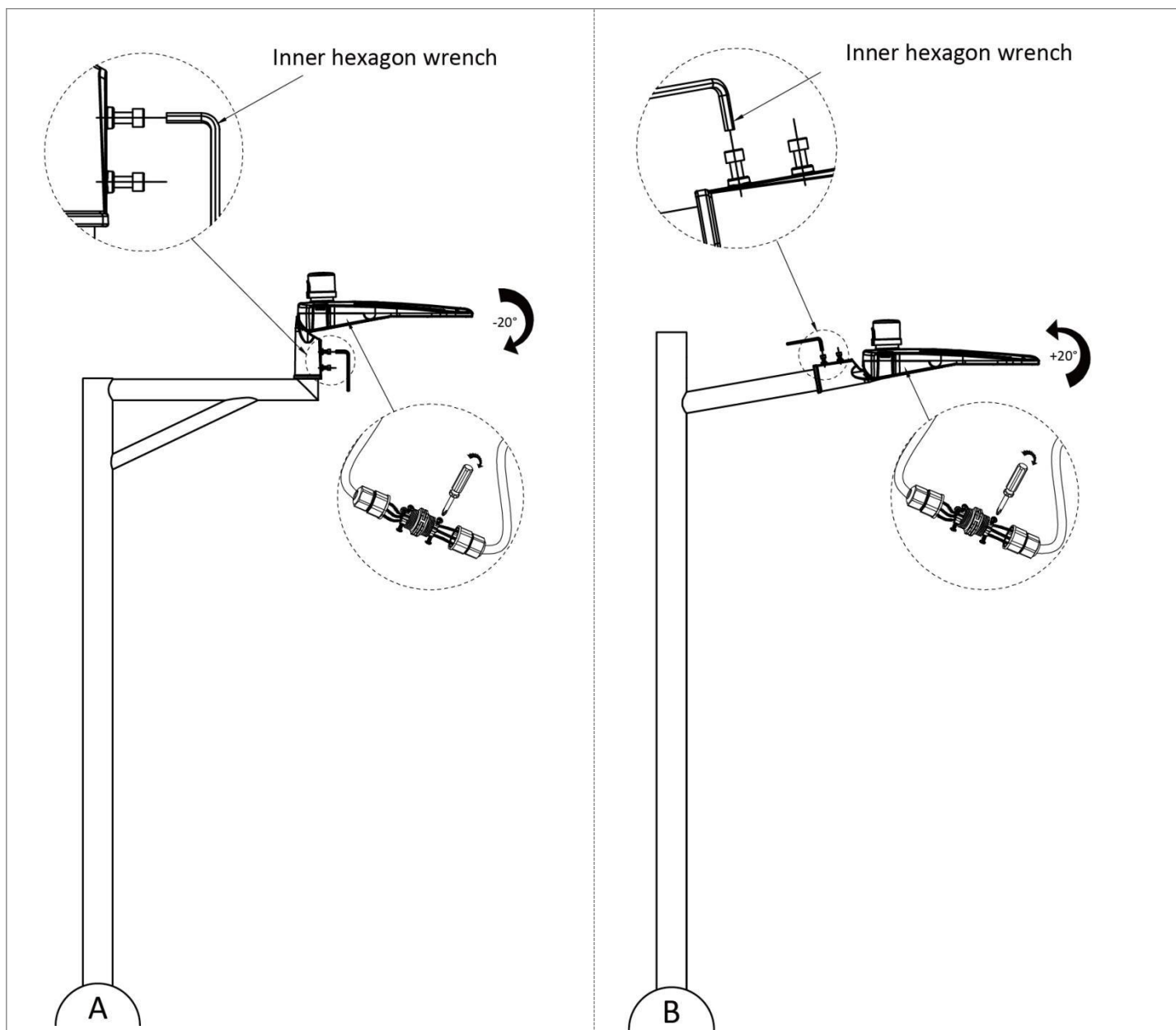


Packaging

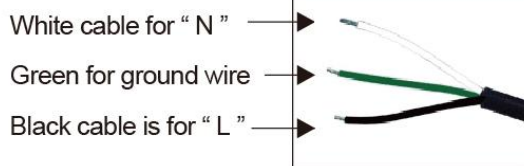
Model	PCS/CTN	Net Weight	Gross weight	Volumetric Weight	CBM
LMS40-SL47	1	3.57kg	4.09kg	4.42kg	L605×W225×H130mm≈0.018 ³
LMS50-SL47	1	3.57kg	4.09kg	4.42kg	L605×W225×H130mm≈0.018 ³
LMS60-SL47	1	3.57kg	4.09kg	4.42kg	L605×W225×H130mm≈0.018 ³
LMS80-SL47	1	4.82kg	5.49kg	6.45kg	L670×W275×H140mm≈0.026 ³
LMS100-SL47	1	4.82kg	5.49kg	6.45kg	L670×W275×H140mm≈0.026 ³
LMS120-SL47	1	7.08kg	8.05kg	8.53kg	L750×W325×H140mm≈0.034 ³
LMS150-SL47	1	7.08kg	8.05kg	8.53kg	L750×W325×H140mm≈0.034 ³

SL47 Street Light

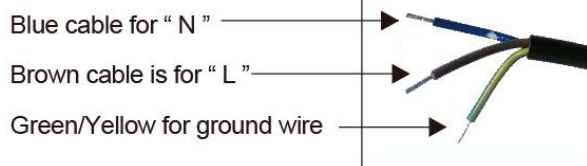
Installation



ANSI





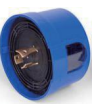
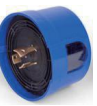





EN



※ Note: If the lamp be used outside, please keep the connector water-proof.

SL47 Street Light

Shorting cap & photocell

LED fixtures match	photocell options		controller base							
			JL-208	JL-205C	JL207C	JL241C	JL251C	JL254C	Gateway box(P/V)	
			"shorting cap Φ73X41MM IP66"	"Analog electronic control three-wire 6Lx ON 50Lx OFF 10s delay Φ84X66MM AC100-277V "	"Digital electronic control three-wire 16Lx ON 24Lx OFF 5-20s delay Φ84X66MM M AC100-277 V"		"0-10V dimming seven-wire 50Lx ON 50Lx OFF 10s delay Φ84X66MM AC100-277V "	"Dali dimming seven-wire 50Lx ON 50Lx OFF 10s delay Φ84X86MM AC100-277V "	"Zigbee control(need work with gateway box) Dali dimming Midnight Dimming LED Decay Compensati on seven-wire 50Lx ON 50Lx OFF 5s delay Φ84X86MM AC100-277V "	remote control by using a gateway box connected to a smart phone(iOS/An driod) with blue tooth communicati on, while connected to the smart control(JL-25 4C) with Zigbee communicati on
										
"SL27,SL29,SL30, SL32,SL47 series non-dimmable"	JL-200X		"S:Φ65X38.5MM,0-480VAC, AWG18#:10A, AWG14#:15A, ULapproval, 3-wire 150MM (match non-dimming)"	✓	✓	✓				
"SL27,SL29,SL30, SL32,SL47 series 0-10V dimmable"	JL-240XB		"S:Φ65X40MM,0-480VAC, AWG18#: 10A, AWG14:15A, ULapproval, 5-wire 150MM (match 0-10V dimming)"	✓			✓			
"SL27,SL29,SL30, SL32,SL47 series 0-10V/ Dali dimmable"	JL-240XA		"S:Φ65X40MM,0-480VAC, AWG18#:10A, AWG14#:15A, ULapproval,7-wire 150MM (match 0-10V/dali dimming)"	✓	✓	✓	✓	✓	✓	